

TRK1 DIR INPUT  
 TRK1 TRCK CIRCUIT INPUT  
 TRK1 HI LOAD1 INPUT  
 TRK1 HI LOAD2 INPUT  
 RADIO BUSY  
 RADIO BUSY  
 TRK1 TRANSDUCER INPUT (WHT)  
 TRK1 TRANSDUCER INPUT (BLK)  
 TRK1 D.E. CONTACT (NC)  
 TRK1 D.E. CONTACT (NC)

TRK1 INTEG RLY OUTPUT CONTACT  
 TRK1 INTEG RLY OUTPUT CONTACT  
 RADIO ALARM KEY RLY CONTACT  
 RADIO ALARM KEY RLY CONTACT  
 SYS OPS RLY OUTPUT CONTACT  
 SYS OPS RLY OUTPUT CONTACT  
 RADIO XMIT AUDIO  
 AUDIO COM  
 RDD XMIT KEY  
 RDD XMIT KEY COM  
 BATTERY (+)  
 BATTERY (-)

**NOTES:**  
 ① IF A D.E. DRY CONTACT INPUT IS PROVIDED, USE 2TB1-9 AND 2TB1-10 FOR THE INPUT TERMINALS. IF A "WETTED" OR "SOURCED" INPUT IS PROVIDED, USE ONLY 2TB1-9 FOR THE INPUT TERMINAL. THE SOURCE VOLTAGE USED MUST HAVE ITS COMMON REFERENCED TO THE SCAT POWER COMMON.

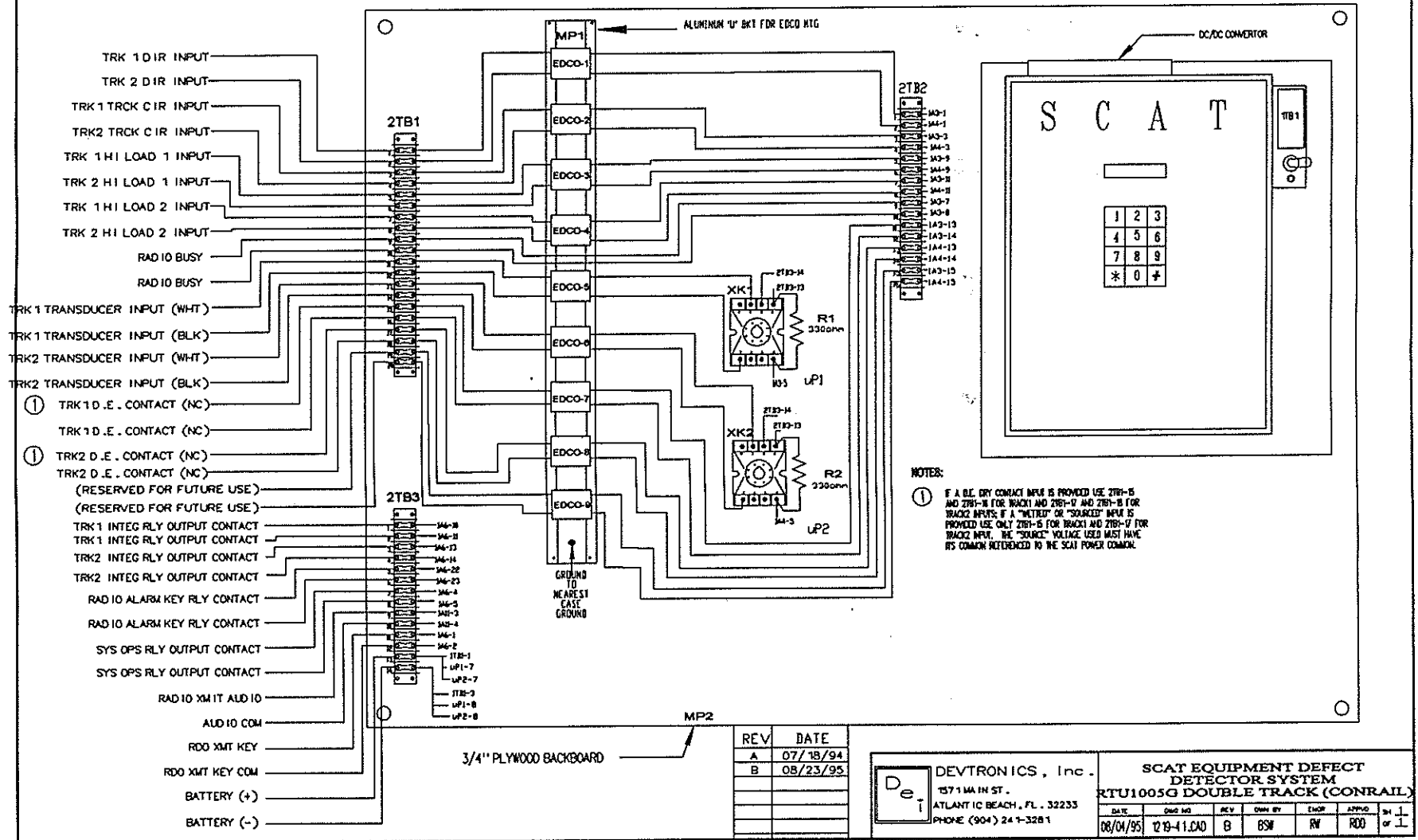
3/4" PLYWOOD BACKBOARD

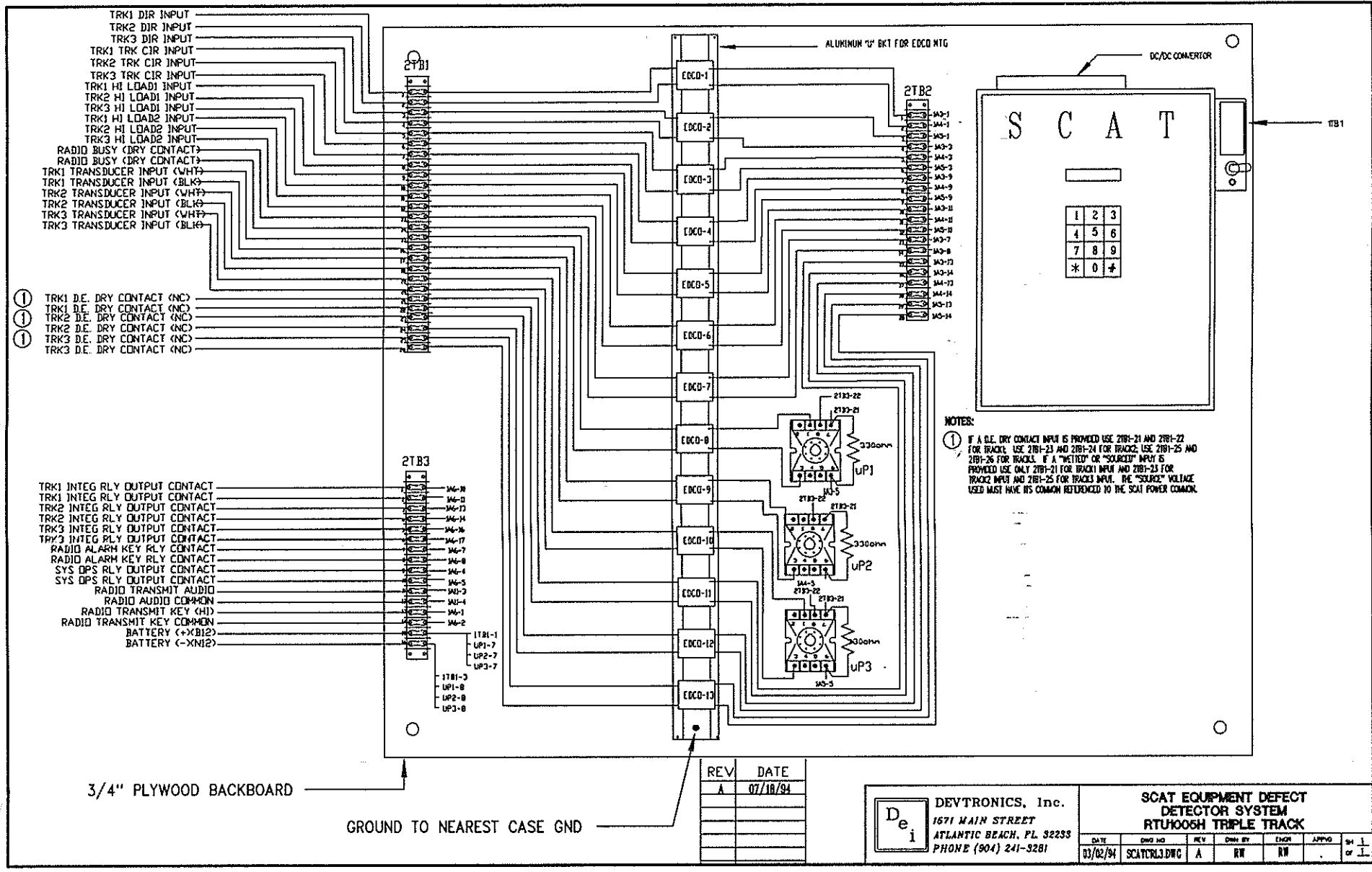
REV	DATE
A	07/20/94

**DEVTRONICS, Inc.**  
 1571 MAIN STREET  
 ATLANTIC BEACH, FL. 32233  
 PHONE (904) 241-3281

SCAT EQUIPMENT DEFECT DETECTOR SYSTEM RTU005F SINGLE TRACK						
DATE	ENG. NO.	REV.	CHK BY	CHKD	APPR'D	SH. J.
03/02/94	SCATER.LING	A	RV	RV	.	

# DEI DWG REFERENCE: SCAT1-1219-41





REV	DATE
A	07/18/94

Dei  
DEVTRONICS, Inc.  
1671 MAIN STREET  
ATLANTIC BEACH, FL 32235  
PHONE (904) 241-3281

SCAT EQUIPMENT DEFECT DETECTOR SYSTEM RTU#0008 TRIPLE TRACK						
DATE	DWG NO	REV	OWN BY	ENGR	APPROV	SH I or L
03/02/94	SCAT0003.DWG	A	RW	RW	.	1