

## INSTRUMENT CASES

ALUMINUM, STEEL, AND COR-TEN® STEEL



- VARIETY OF WIDTHS, HEIGHTS, AND DOOR ARRANGEMENTS
- ALUMINUM, STEEL, OR COR-TEN® STEEL CONSTRUCTION
- DOORS ARE COMPLETELY REMOVABLE WHEN OPEN

Safetran instrument cases can be furnished in several widths and heights with a variety of door arrangements. Construction can be aluminum, steel or Cor-Ten® steel. The doors on the cases are equipped with hooks and clips to hold the door at either a 90 degrees or 180 degrees position and are removable when open. The door handles are designed to accept padlocks. Ventilators are equipped with covers at the top and bottom of the doors.

Holes (4-5/8 inch diameter) are located in the floor to allow wire entry. An aerial cable inlet and eyebolt can be mounted on either side of the case. Lifting rings, located at each end of the case, permit lifting of the case onto the foundation.

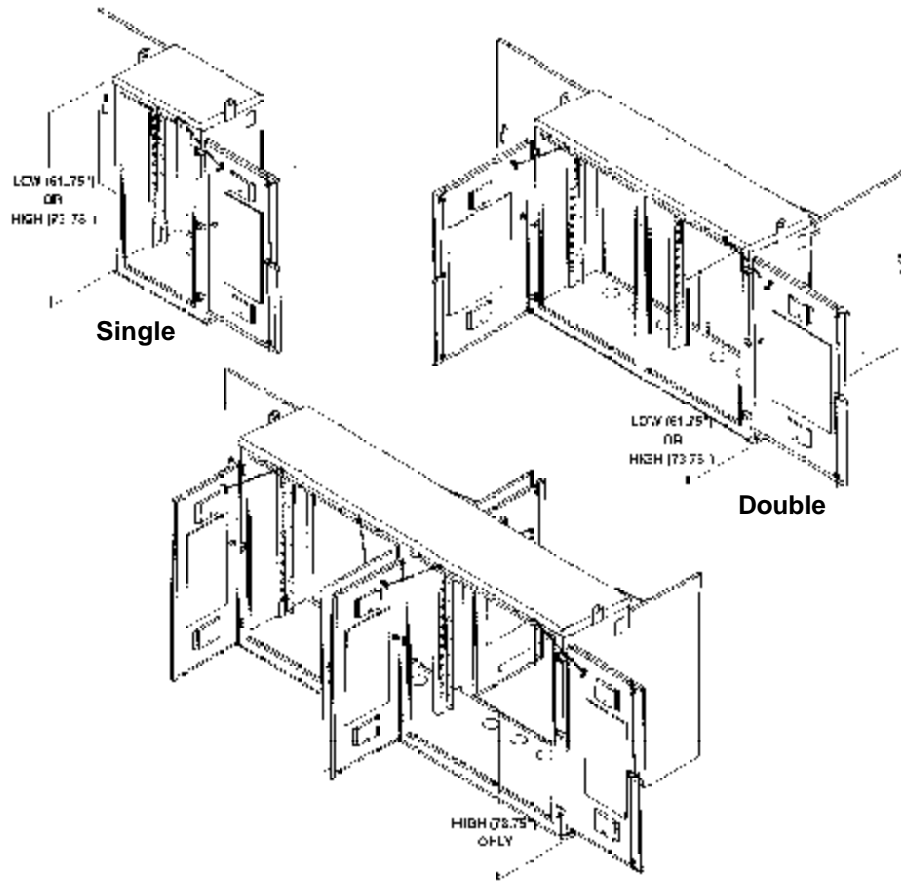
Vertical angles, located at each end of the case, have punched keyslot holes for mounting of shelves, mounting boards, and wire ties.

The interior can be lined with 1/2-inch insulation, if desired.

Aluminum instrument cases are constructed of 0.100-inch aluminum sheeting. Steel and Cor-Ten® steel cases are constructed of 12 gauge base, 14 gauge sides and doors, and 16 gauge top and backboard support panels.

Steel cases are painted with primer and finished with aluminum paint on the exterior and gray paint on the interior. Cor-Ten® steel cases are finished the same as steel on the interior, but are unfinished on the exterior. The outermost surface of Cor-Ten® steel oxidizes, providing a natural protective finish for the exterior of the case.

## ORDERING INFORMATION



To order, specify the following:

1. Type of Case, Dimensions in Inches, and Part Number from table below.
2. Accessories desired, (see pages E-3-3 and E-3-4)
3. Foundation (see section F-3)
4. Insulation (1/2-inch), if desired.

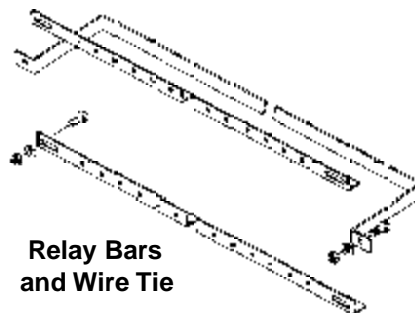
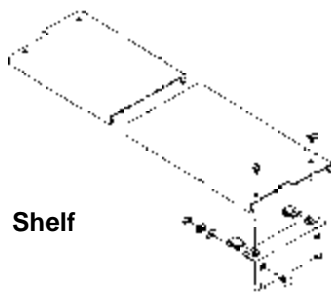
Type of Case	Dimensions in Inches			Number of Knockouts	Part Number		
	Width	Depth	Bolt Spacing		Aluminum	Steel	Cor-Ten Steel
Low Single	31	24	34 x 18.5	2	545210-31X	567200-31X	569200-31X
High Single	31	24	34 x 18.5	2	545110-31X	567100-31X	569100-31X
Low Single	41	24	43.75 x 18.5	3	545210-41X	567200-41X	569200-41X
High Single	41	24	43.75 x 18.5	3	545110-41X	567100-41X	569100-41X
Low Double	60	24	61.25 x 18.5	4	545210-60X	567200-60X	569200-60X
High Double	60	24	61.25 x 18.5	4	545110-60X	567100-60X	569100-60X
Low Double	81	24	83.25 x 18.5	6	545210-81X	567200-81X	569200-81X
High Double	81	24	83.25 x 18.5	6	545110-81X	567100-81X	569100-81X
High Quadruple	116	24	118.25 x 18.5	8	545110-116X	567100-116X	569100-116X

## BACK BOARDS

To order, specify type of case and part number.

Type of Case	Part Number	Type of Case	Part Number
Low Single (31" Wide)	560026-1X	High Double (60" Wide)	560026-4X
High Single (31" Wide)	560026-X	Low Double (81" Wide)	560026-7X
Low Single (41" Wide)	560026-3X	High Double (81" Wide)	560026-6X
High Single (41" Wide)	560026-2X	High Quadruple (116" Wide)	560026-8X
Low Double (60" Wide)	560026-5X		

## SHELVES, RELAY BARS, AND WIRE TIES



To order, specify width of case and part number.

Width of Case in Inches	Shelf	Relay Bar*	Wire Tie*
31 (full case)	560012-X	560024-X	560025-X
41 (full case)	560012-1X	560024-1X	560025-1X
60 (full case)	560012-2X	560024-4X	560025-3X
81 (full case)	560012-3X	560024-5X	560025-4X
116 (full case)	560012-4X	560024-6X	560025-5X
60 (half case)		560024-2X	560025-2X
81 (half case)	560012-1X	560024-3X	560025-1X
116 (half case)	560012-2X	560024-4X	560025-3X

\* Two relay bars and one wire tie are required for the first row of relays. For each additional row of relays, add one relay bar and one wire tie. Necessary hardware is furnished.

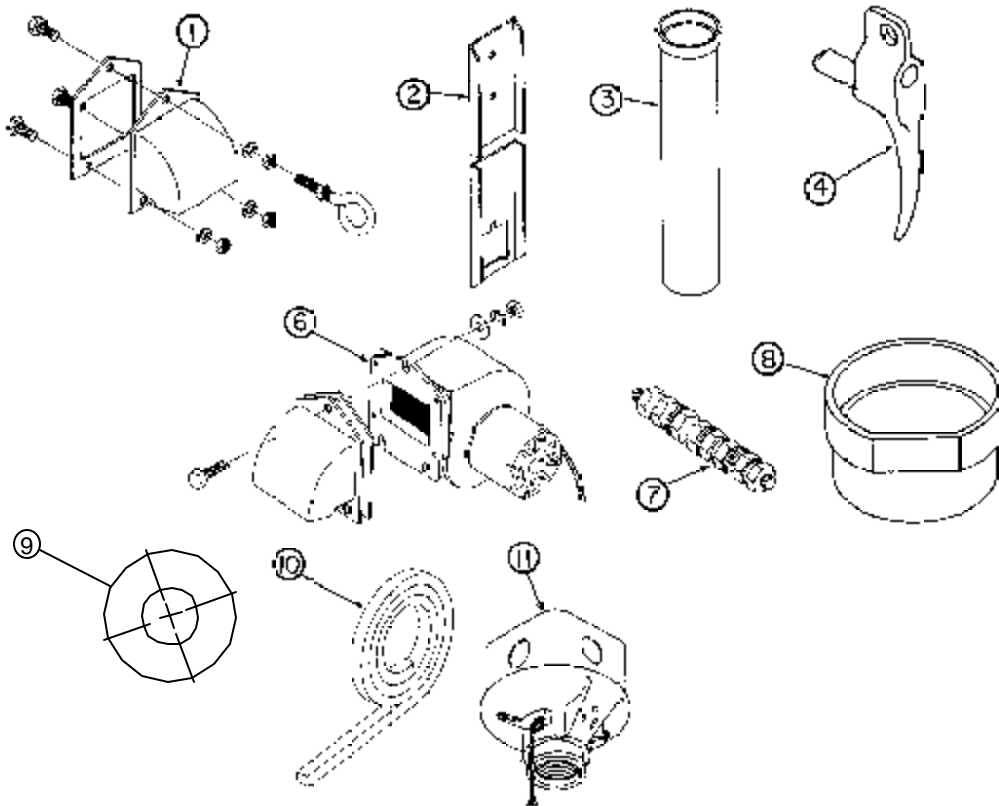
## WALL MOUNTING BRACKETS FOR PLUG-IN RELAYS



To order, specify description and part number.

Description	Part Number
Wall Mounting Bracket for 1 Plug-in Relay	420000-51X
Wall Mounting Bracket for 2 Plug-in Relays	420000-52X
Wall Mounting Bracket for 4 Plug-In Relays	420000-53X

## ACCESSORIES AND REPLACEMENT PARTS



To order, specify description and part number.

Item No.	Description	Part Number
1	Inlet, Aerial Cable	035035X
2	Support, Cable	051151-1
3	Riser, Cable	050971-X
4	Handle, Door (Cast-Iron) (Alum Case)	051128-AX
6	Fan, Ventilation, 110 VAC	035035-7X
	Fan, Ventilation, 220 VAC	035035-503X
7	Terminal, Ground	035049-X
8	Bushing, Bottom	35040
9	Pad, Base (For Aluminum Cases Only)	050993
10	Gasket, Door (Specify Length Required)	10-08-002
11	Lamp	051154-500X
12	Bracket, Shelf with hardware (not shown)	550028-X